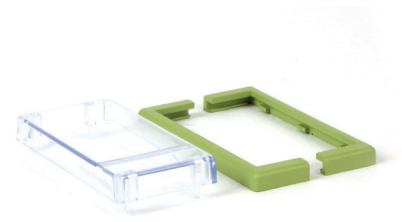


## FS-23

### Transparent front cover

#### General data

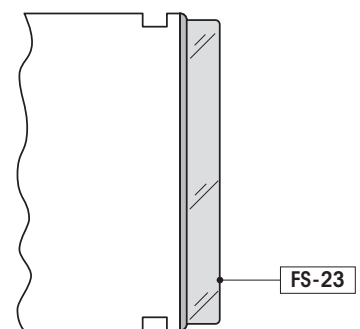
Ambient temperature storage	-40 ... 85 °C
Ambient temperature operation	-25 ... 60 °C
Module width	fig. 1
Weight	80 g



#### Product references

Types	Product reference
Transparent front cover	FS-23

fig. 1. Dimensions (mm)



	Description	MRE-44S	MRM11	MRM11R	MRM32	MRM32R	MRU11	MRU32	MV53	SSU34	SSU31	SSU33L	MRI11	MRI32	TSR19	ESU-D2R	CT515R	CT524R
Monitoring	One phase voltage monitoring		●	●			●		●									
	Three phase voltage monitoring				●	●		●		●		●						
	Four channel voltage measuring	●																
	DC Voltage monitoring		●	●	●	●	●	●			●							●
	One phase current monitoring		●	●									●					
	Three phase current monitoring				●	●								●				
	Four channel current measuring	●																
	DC current monitoring		●	●	●	●							●	●				●
	Phase failure				●	●		●		●	●	●						
	Phase sequence monitoring	●			●	●		●		●	●	●						
	Phase angle monitoring / measuring*	●			●	●		●		●		●						
	Differential voltage monitoring / measuring*	●									●	●						
	Neutral failure monitoring	●									●	●						
	Frequency monitoring / measuring*	●	●	●	●	●	●	●		●		●	●	●				
	Apparent power monitoring / measuring*	●	●	●	●	●												
	Active power monitoring / measuring*	●	●	●	●	●												
	Power factor monitoring / measuring*	●	●	●	●	●												
	Active energy measuring	●																
	THDI / THDU measuring	●																
	PTC monitoring															●		
Earth failure monitoring																●		
Functions	Threshold exceeded "over" fig. 3.	●	●	●	●	●	●	●	●	●		●	●	●	●		●	●
	Threshold undershot "under" fig. 4.	●	●	●	●	●	●	●	●	●	●	●	●	●	●	●	●	●
	Window function "inside" fig. 2.	●	●	●	●	●	●	●					●	●			●	●
	Window function "outside" fig.1.	●	●	●	●	●	●	●					●	●			●	●
	Alarm on-delay	●	●	●	●	●	●	●	●	●		●	●	●		●	●	●
	Alarm off-delay	●	●	●	●	●	●	●	●				●	●				
	Error storage function	●	●	●	●	●	●	●					●	●	●			
	Threshold selectable	●	●	●	●	●	●	●	●	●			●	●	●	●	●	●
	Threshold fixed										●	●			●			
	Power supply	Supply isolated from measuring circuit	●	●	●	●	●	●	●					●	●	●	●	
Supply from measure circuit									●	●	●	●					●	●
Mounting	DIN rail mounting	●	●	●	●	●	●	●	●				●	●		●		
	Housing according IEC/EN 43880 (electrical distribution mounting)	●	●	●	●	●	●	●	●					●	●			
	Plug-in (socket mounting)											●	●		●		●	●

\*Measuring: MRE-44S only

