

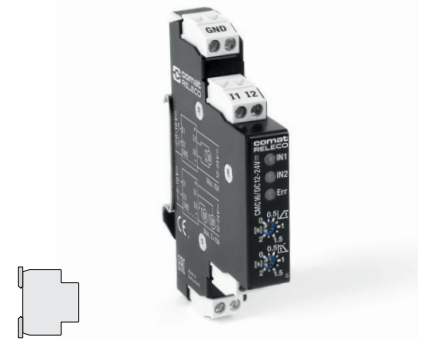
# CMC16

DC Motor Controller | analogue inputs 4 ... 20 mA | variable speed

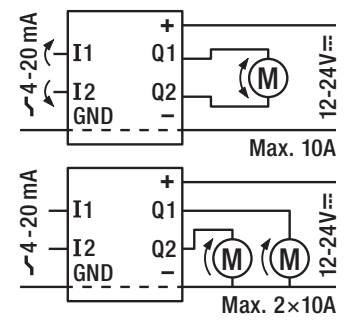
<b>Maximum load</b>	<b>10 A / 24 V</b>
<b>Outputs</b>	<b>Drive</b>
Type	Mosfet H bridge
Nominal switching current	10 A
Inrush current	20 A / max. 3 s
Nominal voltage	24 V
Switching power	240 W
<b>Analogue inputs</b>	
Nominal operating voltage range (DC)	4 – 20 mA
Resolution	8 Bit
Input impedance	190 Ω
<b>Power supply</b>	
Nominal operating voltage (DC)	12 – 24 V
Operating voltage (DC)	8 – 28 V
Max. current consumption without load	10 mA
Max. power consumption	DC
12 V	120 mW
24 V	240 mW
<b>Time response</b>	
Start ramp	0 – 2 s
Breaking ramp	0 – 2 s
<b>Specifications</b>	
Ambient temperature storage/operation	-40 ... 85°C / -25 ... +60°C (no ice)
Connection terminals	Screw terminal 2.5 mm <sup>2</sup>
DC voltage endurance at rated load	> 100 000 h (at 25 °C)
Protection degree	IP 20
Mounting	TS-35 or Back Panel Mounting
Housing material	Aluminium
Weight	80 g

**Product References**

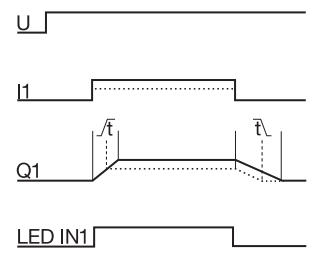
**DC 12-24** CMC16/DC12-24V



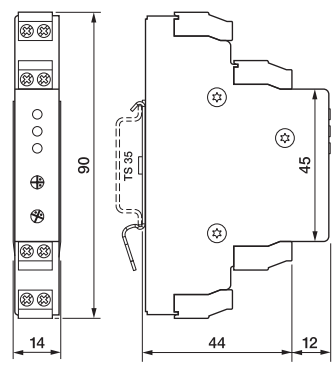
**Connection diagram**



**Function diagram**



**Dimensions (mm)**



**Technical approvals, conformities**



IEC/EN 61373