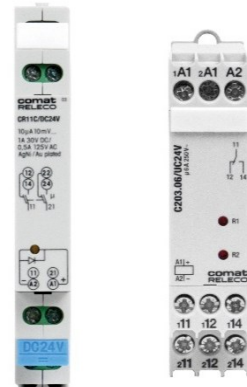


# Change Instructions CR11C to C203.06

As part of the consolidation of our product range, the **CR** series time relays are being discontinued.

The successor products are as follows:

Discontinued items	Successor
CR11C/DC24V	C203.06/UC24V
CR16CX/AC230V	B103/AC220-240V
CR16CX/DC24V	B103/UC24V
CRS1C/AC230V	CRV4/UC24-240V
CRS1C/DC24V	



This document outlines the similarities and differences between the **CR11C/DC24V** and **C203.06/UC24V** variants.

## 1 Technical compatibility

Both the CR11C2 and the C203.06 are equipped with two changeover contacts. They use the same contact material and have the same expected service life.

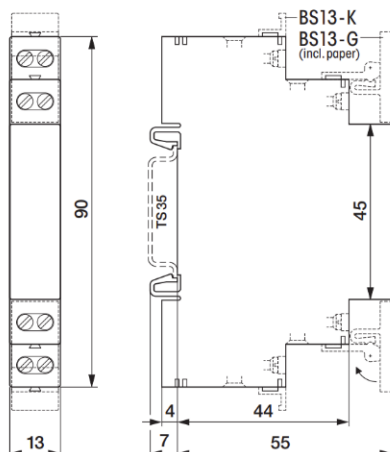
### 1.1 Control circuit

Whilst in the CR11C a single coil switches both contacts, the C203.06 has two coils, each switching one contact. To switch both contacts, both A1 terminals must be bridged.

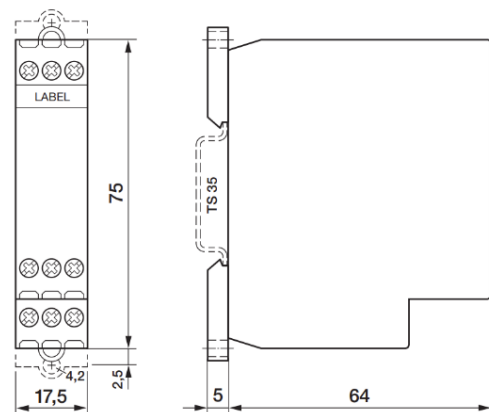
### 1.2 Housing

Compared to the CR11C, the C203.06 is 4.5 mm wider, 15 mm shorter and 9 mm deeper.

**Dimensions of the CR11C**



**Dimensions of the C203.06**



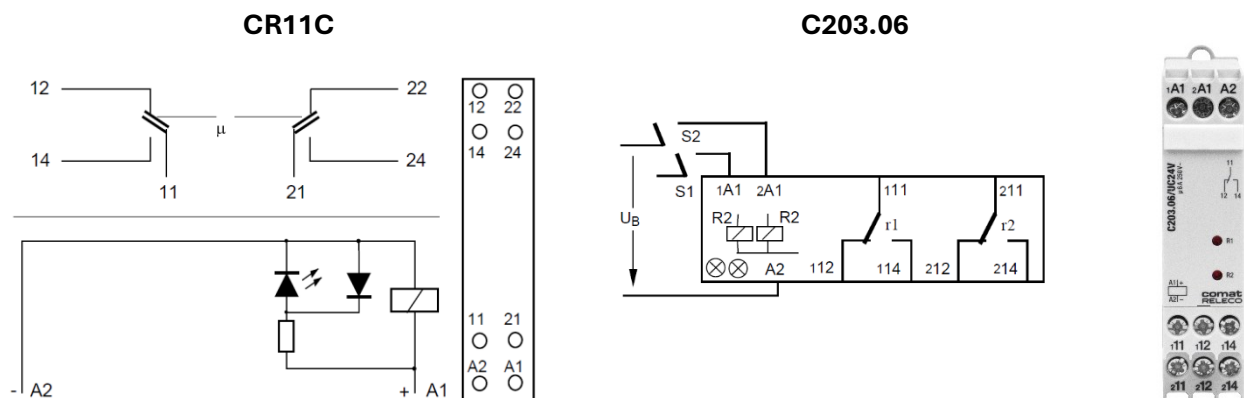
## 2 Wiring

The wiring diagram differs between the CR11C and C203.06 models, so rewiring is required when switching between them.

Terminals A1 and A2 are at the bottom on the CR11C; on the C203.06, they are at the top. In addition, the second A1 terminal on the C203.06 must be bridged.

The relay outputs are located at the top and bottom on the CR11C; on the C203.06, they are all at the bottom.

### 2.1 Wiring diagram



The requirements for conductor cross-section and torque are identical.

## 3 Data sheet

The data sheet for the [C203.06/UC24V](#) is available on our website and contains all relevant technical information. These replacement instructions, as well as replacement instructions for the other CR variants, can be found under Discontinued and [Successor Products](#).

A complete overview of all installation relays can be found via the navigation: <https://www.comatreleco.com/en/Products/Relays-Contactors/Installation-Relays/>

If you have any further questions, our technical support team will be happy to assist you: [support@comatreleco.com](mailto:support@comatreleco.com)