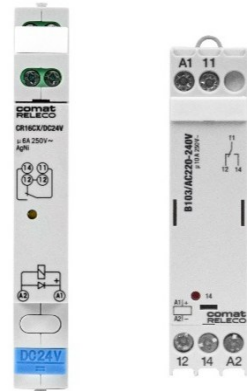


# Change Instructions CR16CX to B103

As part of the consolidation of our product range, the **CR** series time relays are being discontinued.

The successor products are as follows:

Discontinued items	Successor
CR11C/DC24V	C203.06/UC24V
CR16CX/AC230V	B103/AC220-240V
CR16CX/DC24V	B103/UC24V
CRS1C/AC230V	CRV4/UC24-240V
CRS1C/DC24V	



This document outlines the similarities and differences between the **CR16CX** and B103 variants.

## 1 Technical compatibility

Both the CR16CX2 and the B103 are equipped with a changeover contact. The B103 uses AgSnO<sub>2</sub> as the contact material, making it suitable for higher currents. The minimum contact load is the same as for the CR16CX.

Both types have a comparable electrical life; the expected mechanical life of the B103, at 20 million cycles, is shorter than that of the CR16CX.

### 1.1 Control circuit

The operating voltage ranges are marginally different:

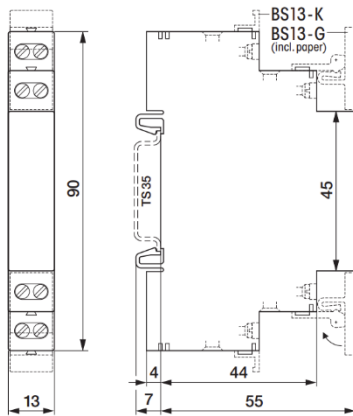
	CR16CX	B103
Operating voltage range ~230 V AC	184 – 253 V	187 – 276 V
Operating voltage range ~24 V DC	19.2 – 26.4 V	20.4 – 27.6 V

Furthermore, the power consumption of 5.5 VA for the B103 is higher than that of the CR16CX (2 VA).

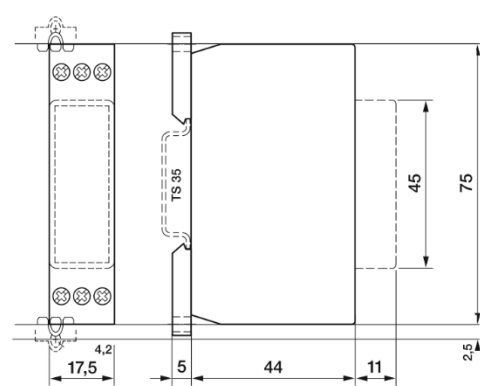
## 1.2 Housing

Compared to the CR16CX, the B103 is 4.5 mm wider, 15 mm shorter in height and the same depth.

**Dimensions of the CR16CX**



**Dimensions of the B103**



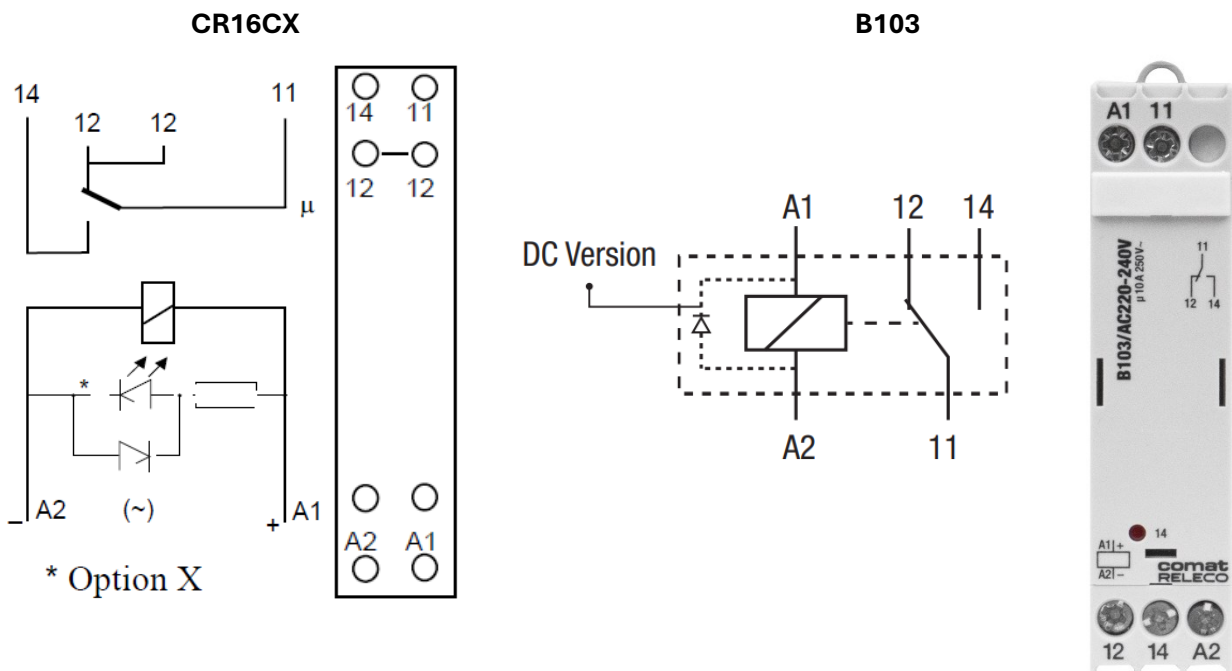
## 2 Wiring

The wiring diagram differs between the CR16CX and B103 models, so rewiring is required when switching between them.

Terminal A1 is at the top on the B103; on the CR16CX it is at the bottom.

The relay outputs are at the bottom on the B103; on the CR16CX they are at the top.

### 2.1 Wiring diagram



The requirements for conductor cross-section and torque are identical.

### 3 Data sheet

The data sheets for the [B103/AC220-240V](#) and [B103/UC24V](#) are available on our website and contain all relevant technical information. These replacement guides, as well as replacement guides for the other CR variants, can be found under Discontinued and [Successor Products](#).

A complete overview of all installation relays can be found via the navigation:

<https://www.comatreleco.com/en/Products/Relays-Contactors/Installation-Relays/>

If you have any further questions, our technical support team will be happy to assist you:

[support@comatreleco.com](mailto:support@comatreleco.com)