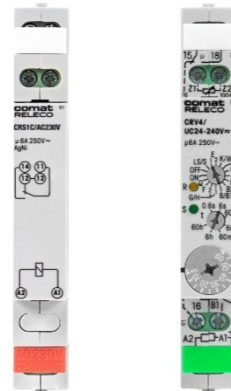


Change Instructions CRS1 to CRV4

As part of the consolidation of our product range, the **CR** series time relays are being discontinued.

The successor products are as follows:

Discontinued items	Successor
CR11C/DC24V	C203.06/UC24V
CR16CX/AC230V	B103/AC220-240V
CR16CX/DC24V	B103/UC24V
CRS1C/AC230V	CRV4/UC24-240V
CRS1C/DC24V	



This document outlines the similarities and differences between the **CRS1** and CRV4 variants.

1 Technical compatibility

Both the CRS1 and the CRV4 are equipped with a changeover contact. Both use the same contact material; the expected mechanical life of the CRV4, at 30 million cycles, is longer than that of the CRS1.

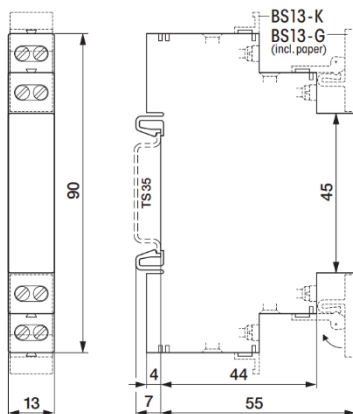
1.1 Control circuit

The CRV4 is a device with a wide-range power supply from 24 V AC/DC to 240 V AC/DC.

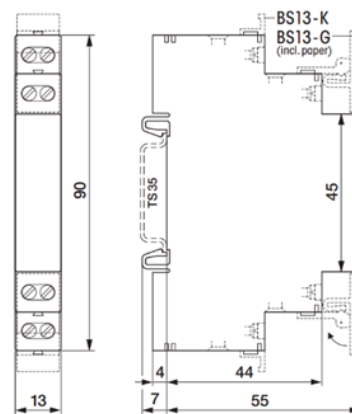
1.2 Housing

The dimensions of both devices are identical.

Dimensions of the CRS1



Dimensions of the CRV4

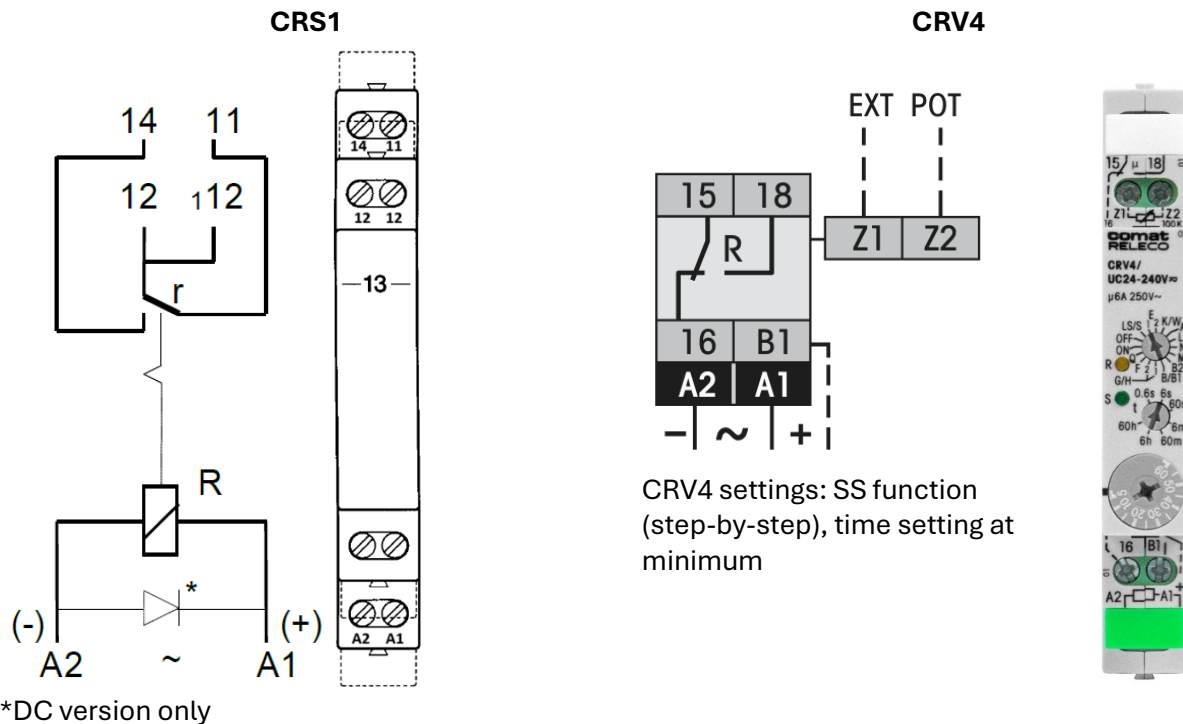


2 Wiring

The wiring diagram differs between the CRS1 and CRV4 models, so rewiring is required when switching between them.

The position of terminals A1/A2 and the relay outputs are identical on both devices.

2.1 Wiring diagram



The conductor cross-section of the CRV4 is limited to 2.5 mm^2 or $2 \times 1 \text{ mm}^2$ (CRS1 maximum $1 \times 4 \text{ mm}^2$)

3 Data sheet

The data sheet for the [CRV4/UC24-240V](#) is available on our website and contains all relevant technical information. These replacement instructions, as well as replacement instructions for the other CR variants, can be found under Discontinued and [Successor Products](#).

A complete overview of all installation relays can be found via the navigation:

<https://www.comatreleco.com/en/Products/Relays-Contactors/Installation-Relays/CR-Series/>

If you have any further questions, our technical support team will be happy to assist you:
support@comatreleco.com