

## S2-B

8-pin C2 relay socket | Time cubes | Screw terminal

### General data

Rated load	10 A / 300 V
Dielectric strength	
- All terminals / DIN rail	2.5 kV rms / 1 min
- Terminal / terminal	2.5 kV rms / 1 min
Conductor cross section	
- Single wire	4 mm <sup>2</sup> / AWG 12 or 2 x 2.5mm <sup>2</sup> / AWG 14
- Multi wire (un-crimped)	0.34 mm <sup>2</sup> / AWG 22 ... 2.5 mm <sup>2</sup> / AWG 14
Nominal screw torque	0.7 Nm
Screw Dimension	M3 Pozi slot
Mounting	TH35 (EN 60715) or back panel mounting
Storage temperature (no ice)	-40 ... 80 °C
Operation temperature	-40 ... 60 °C
Weight	48 g
Housing material	PA / PC

### Included Accessories

Retaining clip   Plastic	S30-CM/10 (BAG 10 PCS)
--------------------------	------------------------

### Optional Accessories

Retaining spring   steel	HF-32 (BAG 10 PCS), HF-33 (BAG 10 PCS), HF-24
--------------------------	---

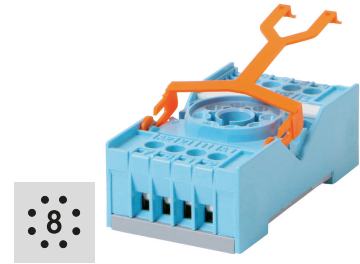


fig. 1. Wiring diagram

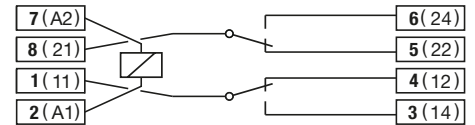
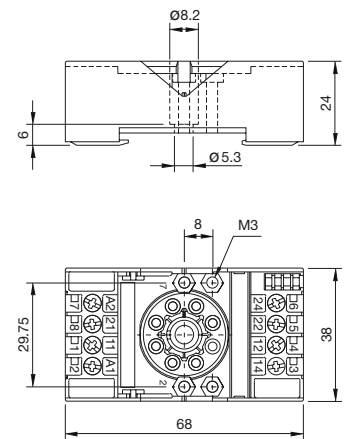


fig. 2. Dimensions (mm)



### Technical approvals, conformities

Standards EN 60664-1

Approvals